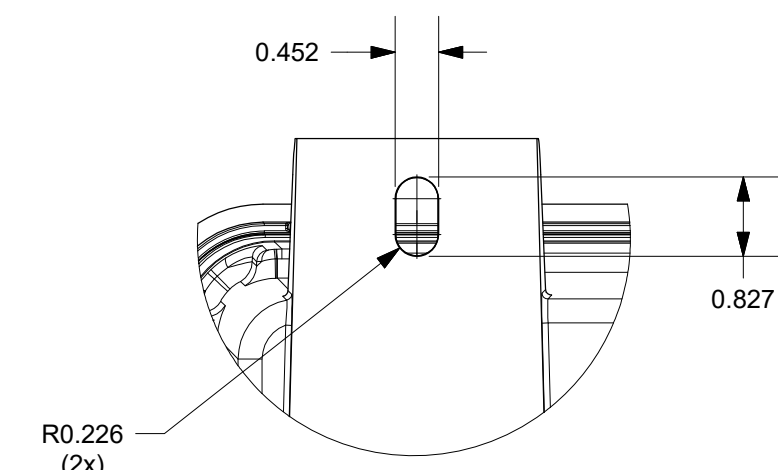
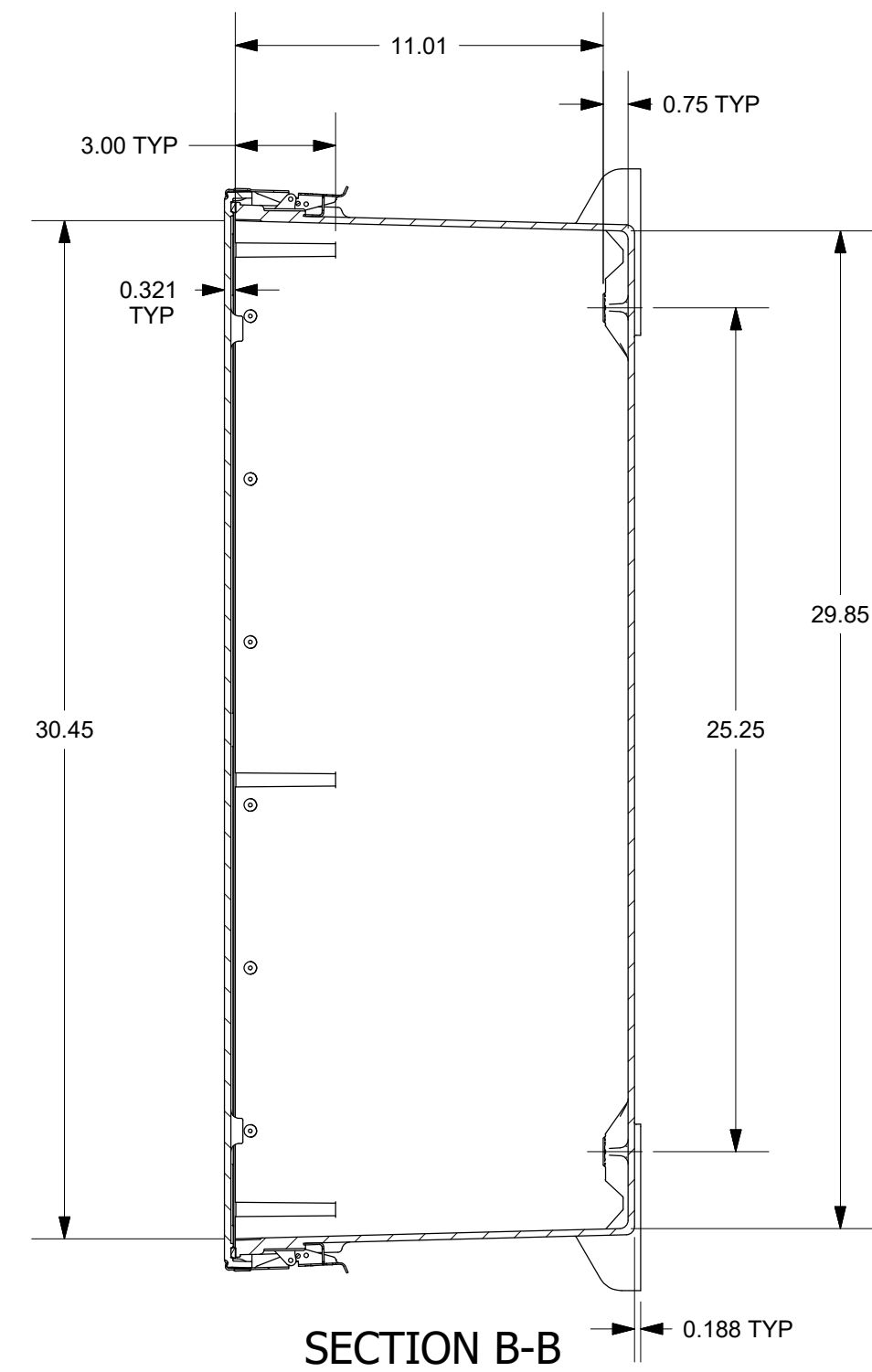
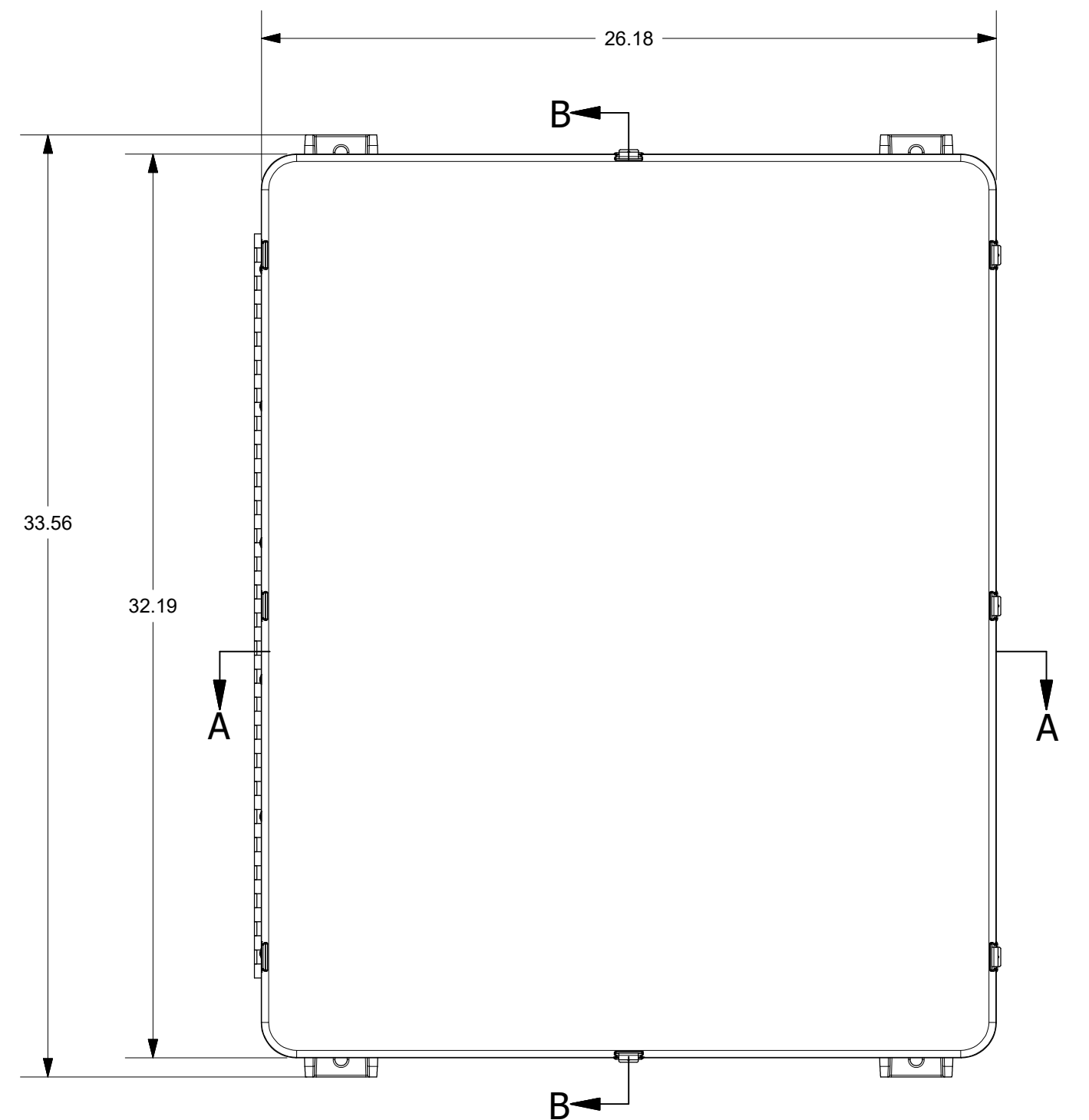
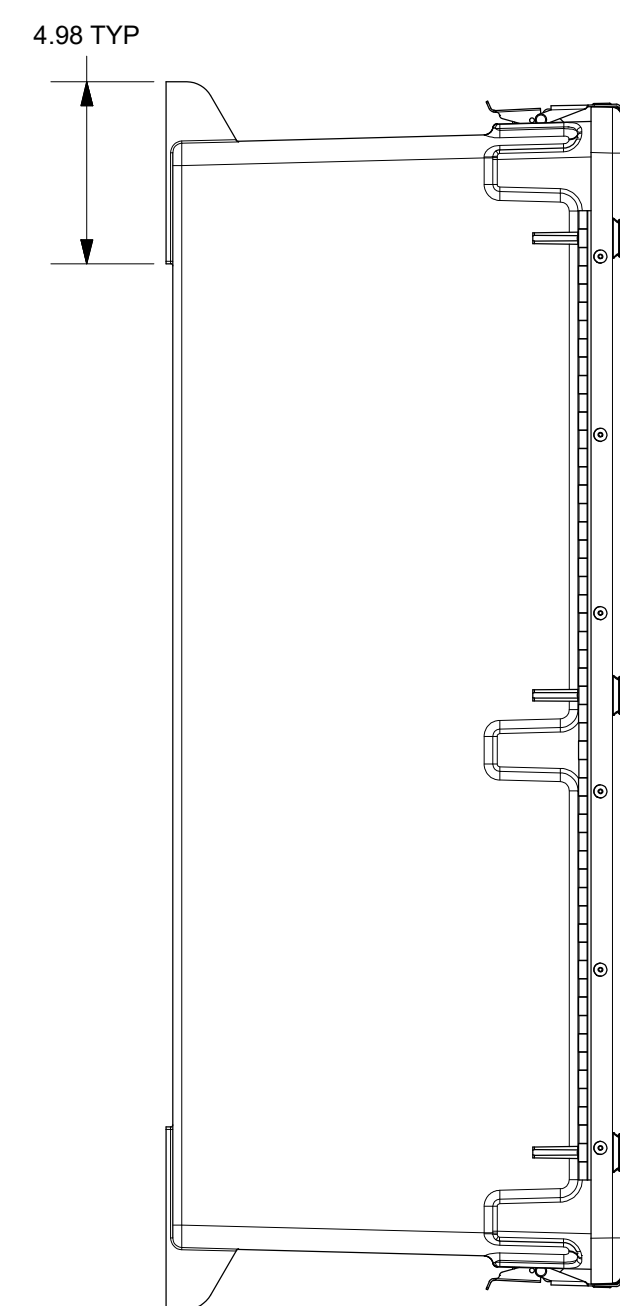
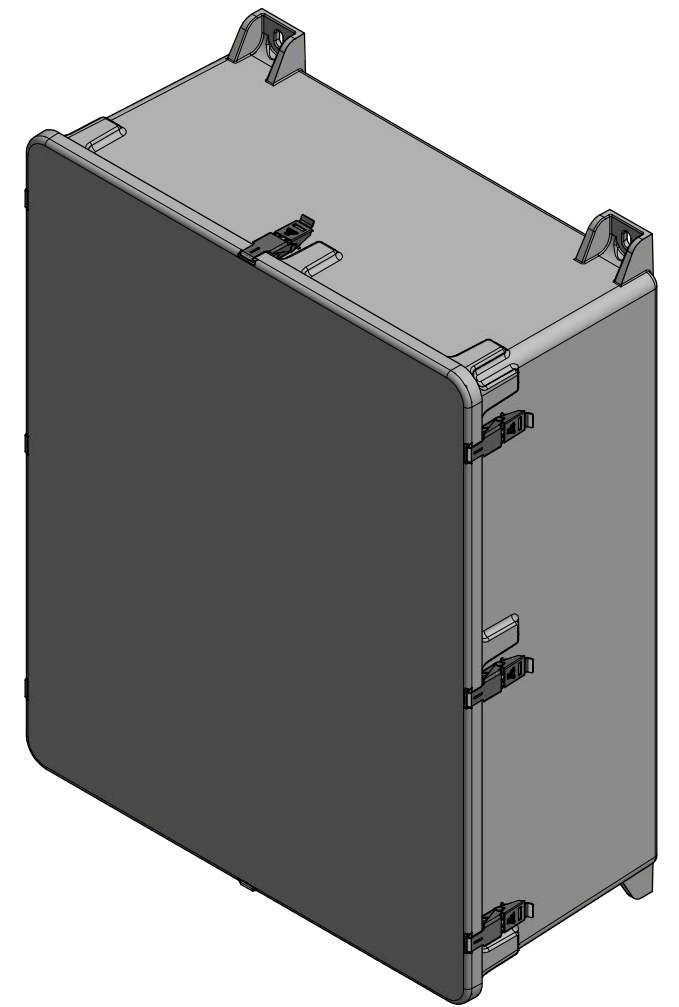


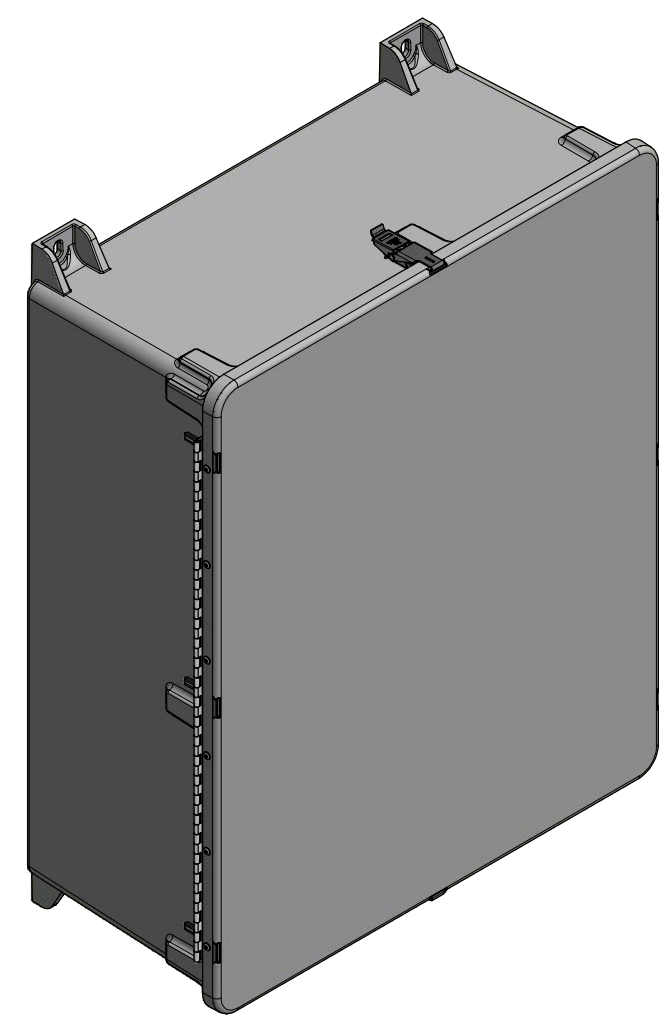
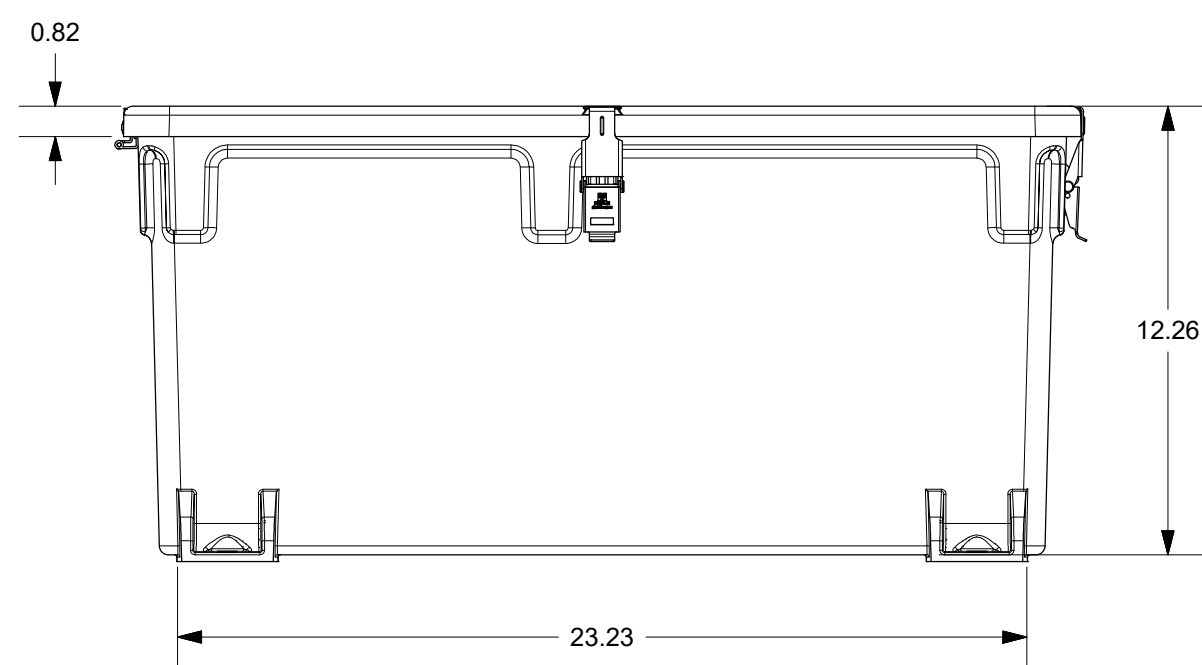
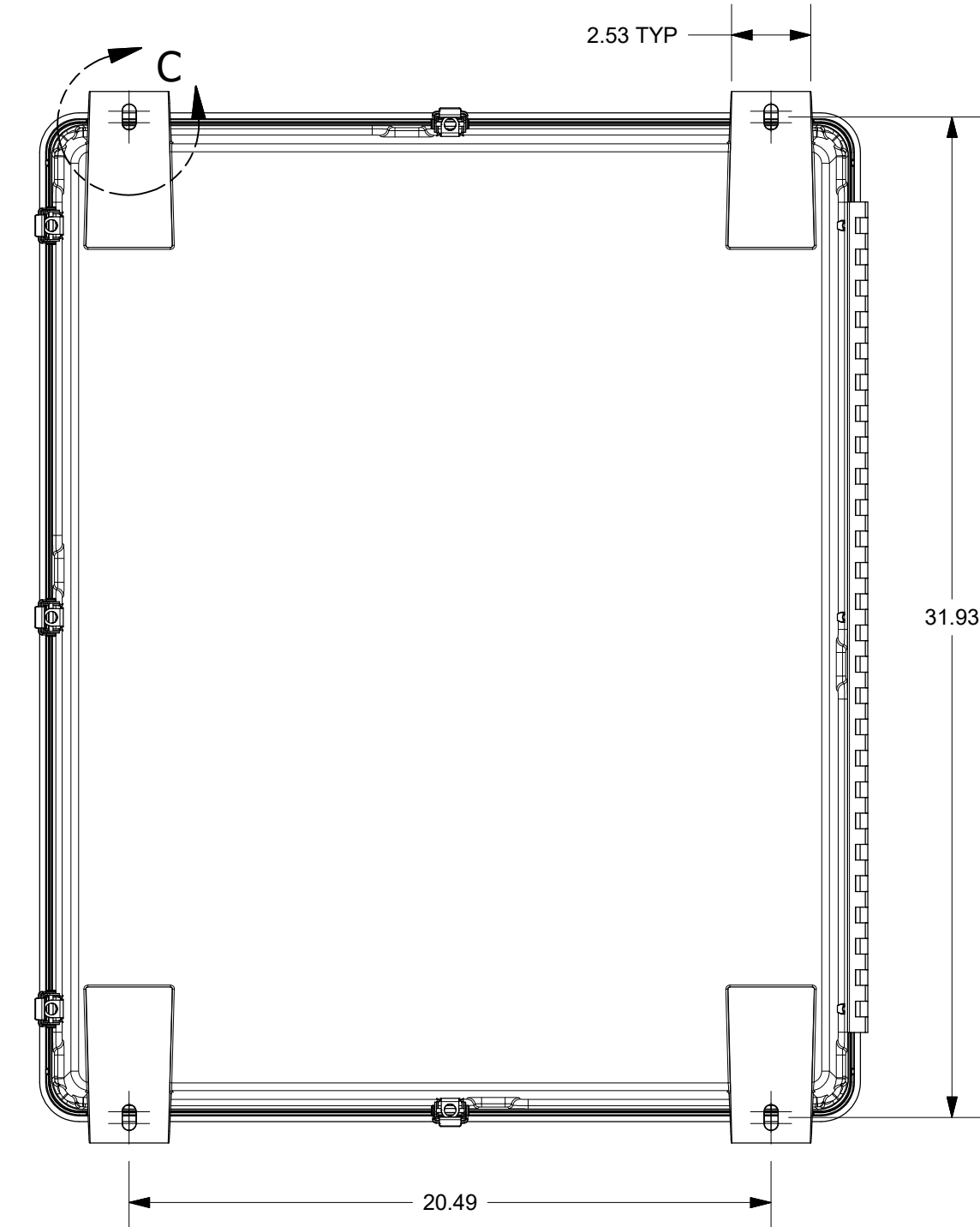
SECTION A-A



DETAIL C  
(4x)



SECTION B-B



THIS DRAWING IS THE SOLE AND EXCLUSIVE PROPERTY OF ROBROY ENCLOSURES. NO PART OF THIS DRAWING MAY BE REPRODUCED, DISTRIBUTED, OR PUBLICALLY DISPLAYED IN ANY FORM OR BY ANY MEANS WITHOUT THE EXPRESS WRITTEN PERMISSION OF ROBROY ENCLOSURES. ALL RIGHTS RESERVED. UNDER THE COPYRIGHT LAWS. COPYRIGHT © 2017 ROBROY ENCLOSURES.

**SPECIAL REQUIREMENTS**

**ASSEMBLY:**  
1. (1) ACCESSORY KIT (FE4PKBP) SHALL BE PACKAGED LOOSELY INSIDE ENCLOSURE  
HARDWARE INCLUDED:  
-(4) 3/8-16 x 1/2 HEX HEAD CAP SCREW T18  
-(4) 3/8 FLAT WASHER T18-8 SS

NEMA 250: TYPE 1, 3, 3R, 4, 4X, 12, 13  
IEC 60529: IP66  
COLOR: GLACIER GRAY (WPR3013)  
COLOR STANDARD: PANTONE 428 C

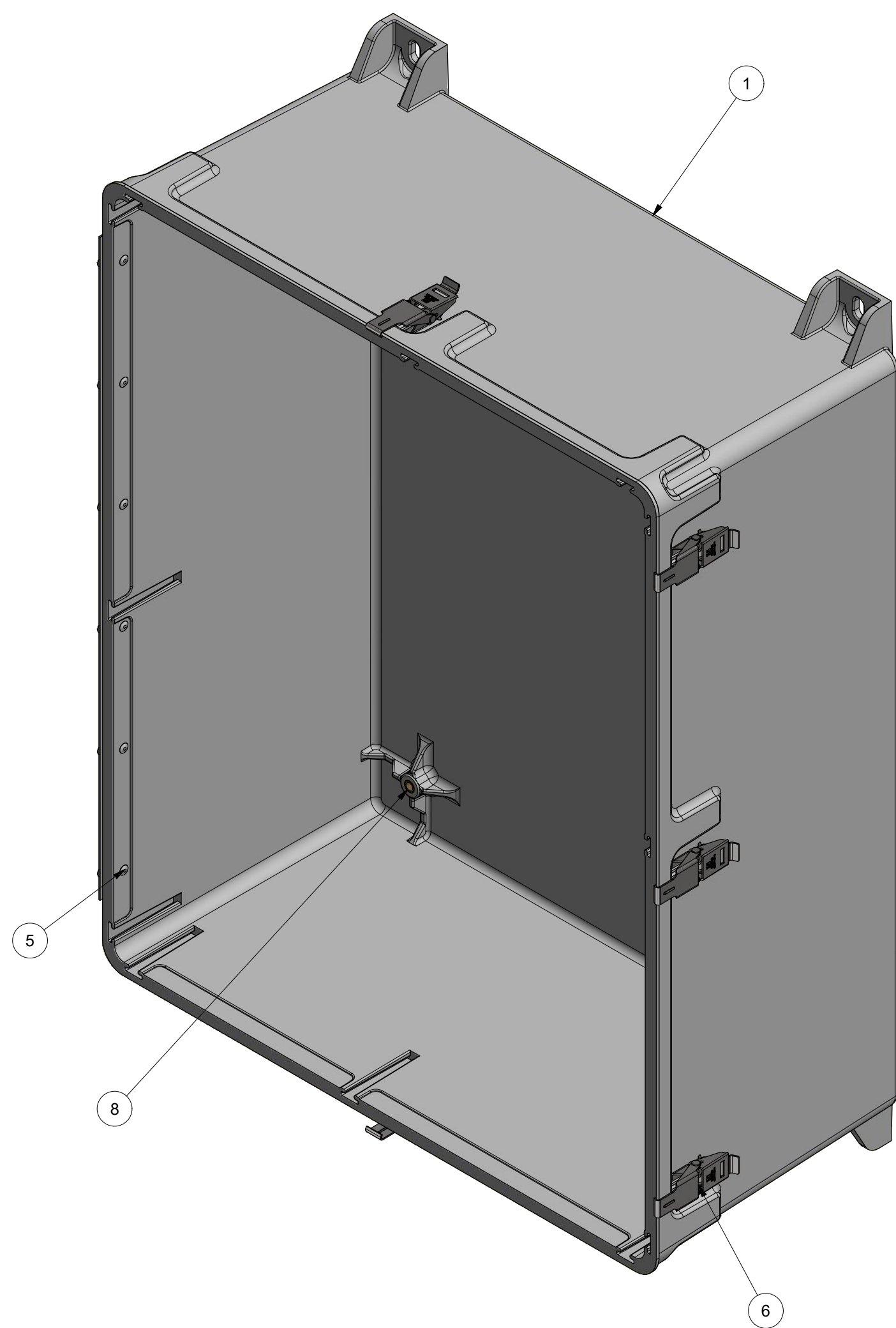
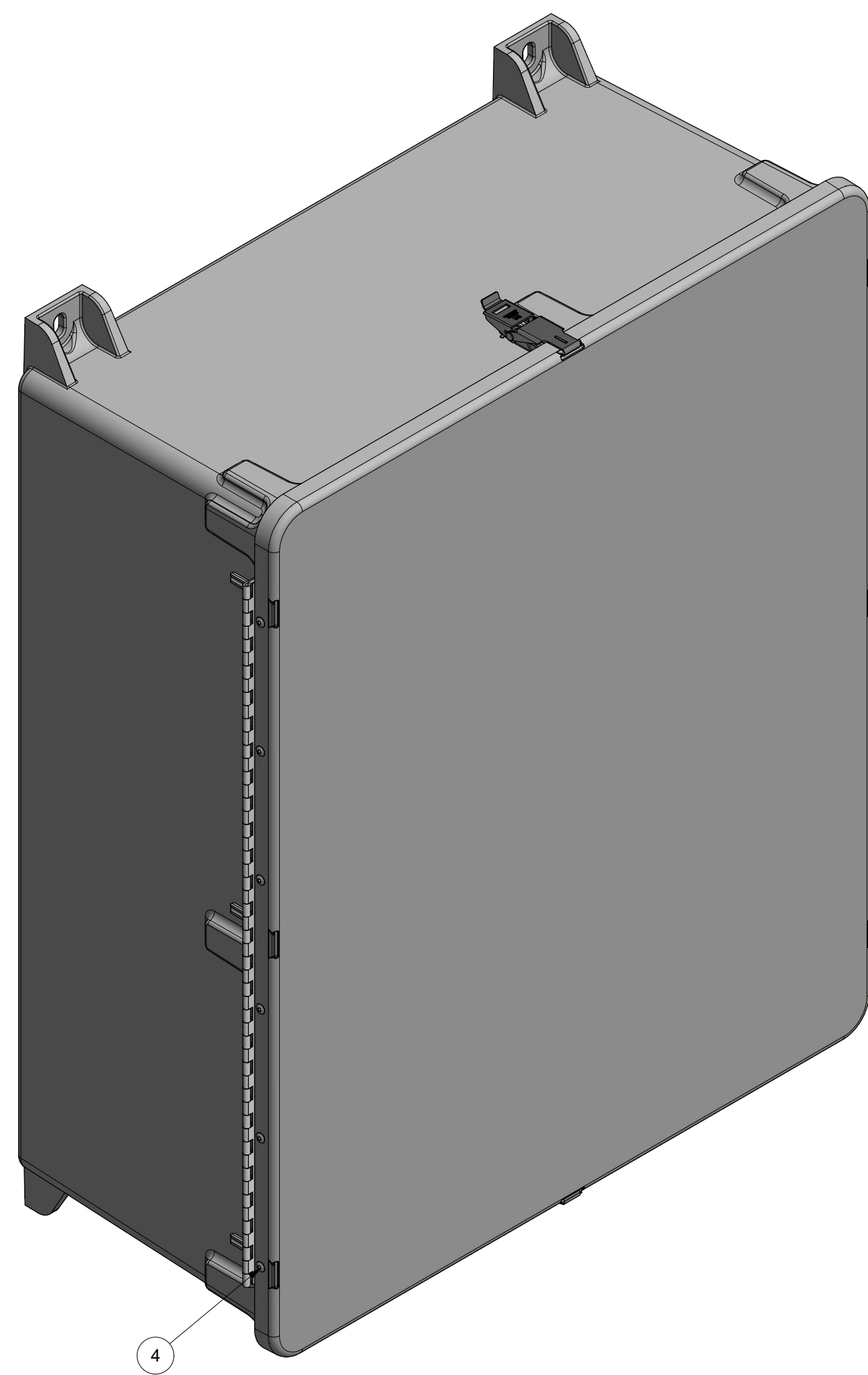
STANDARD P/N: J3024HPL  
CUSTOMER DWG:

ALL DIMENSIONS ARE IN INCHES UNLESS OTHERWISE SPECIFIED

TOLERANCES UNLESS SPECIFIED .XX ± 0.03 .XXX ± 0.010

REVISION HISTORY			
REV	DESCRIPTION	DATE	ENG
-	-	-	-
-	-	-	-
-	-	-	-
-	-	-	-
-	-	-	-
-	-	-	-

<b>STAHLIN</b>		Robroy Enclosures	
DRAWN BY	DATE	CUSTOMER	DWG
AA	12/7/17		J3024HPL
SCALE	DESCRIPTION	PART NUMBER	
DO NOT SCALE	STANDARD ENCLOSURE	FEJ3024HPL	




PARTS LIST			
ITEM	QTY	PART NUMBER	DESCRIPTION
1	1	WP3024HBOX	MOLDED J3024 BOX
2	1	WP3024HU	GASKET WP3024HCVR
3	1	RMHINGJ30	J SERIES HINGE 26.5
4	6	RMRIV64	SSD64SSBS RIVET
5	6	RMRIV68	SSD68SSBS RIVET
6	5	RMLATSSLXL	J3024 HPL LATCH
7	1	RMLABSTAHLIN3X2	STA1024 STAHLIN LOGO LABEL
8	4	RMINS3/8-16X11/16	3/8-16X11/16 BRASS INSERT 200-107

**NOTES:**  
 1. RTV 732 SILICONE SEALANT SHALL BE APPLIED ON TOP OF RIVET AFTER

THIS DRAWING IS THE SOLE AND EXCLUSIVE PROPERTY OF ROBROY ENCLOSURES. NO PART OF THIS DRAWING MAY BE REPRODUCED, DISTRIBUTED, OR PUBLICALLY DISPLAYED IN ANY FORM OR BY ANY MEANS WITHOUT THE EXPRESS WRITTEN PERMISSION OF ROBROY ENCLOSURES. ALL RIGHTS RESERVED. UNDER THE COPYRIGHT LAWS. COPYRIGHT © 2017 ROBROY ENCLOSURES.

**SPECIAL REQUIREMENTS**

**ASSEMBLY:**  
 1. (1) ACCESSORY KIT (FE4PKBPN) SHALL BE PACKAGED LOOSELY INSIDE ENCLOSURE  
 HARDWARE INCLUDED:  
 -(4) 3/8-16 x 1/2 HEX HEAD CAP SCREW T18  
 -(4) 3/8 FLAT WASHER T18-8 SS

NEMA 250: TYPE 1, 3, 4, 4X, 12, 13 IEC 60529: IP66 COLOR: GLACIER GRAY (WPR3013) COLOR STANDARD: PANTONE 428 C	STANDARD P/N: J3024HPL CUSTOMER DWG:	ALL DIMENSIONS ARE IN INCHES UNLESS OTHERWISE SPECIFIED	TOLERANCES UNLESS SPECIFIED .XX ± 0.03 .XXX ± 0.010
MATERIAL: FIBERGLASS REINFORCED POLYESTER (FRP)		 <b>Robroy Enclosures</b>	
DRAWN BY: AA DATE: 12/7/17	CUSTOMER:		
SCALE: DO NOT SCALE	DESCRIPTION: STANDARD ENCLOSURE	PART NUMBER: FEJ3024HPL	